

REVISIONS			
REV	DESCRIPTION	DATE	APPROVED
1	CHANGED PRIMING SYSTEM AND CHECK VALVE	11/4/99	RAR

SUCTION = 3"
DISCHARGE = 3"
SHIPPING WEIGHT = 1240LBS. (EMPTY FUEL TANK WEIGHT)
FUEL TANK CAPACITY = 25 GALLONS

Scale	7/16/98
Checked	NIS
Drawn	
Part	RRR

Authoritative statements or
specifications for this drawing
are contained in the drawing
description and the notes
thereon. All dimensions are
in inches unless otherwise
indicated. Material from
other sources may be used
if approved by the
designer.

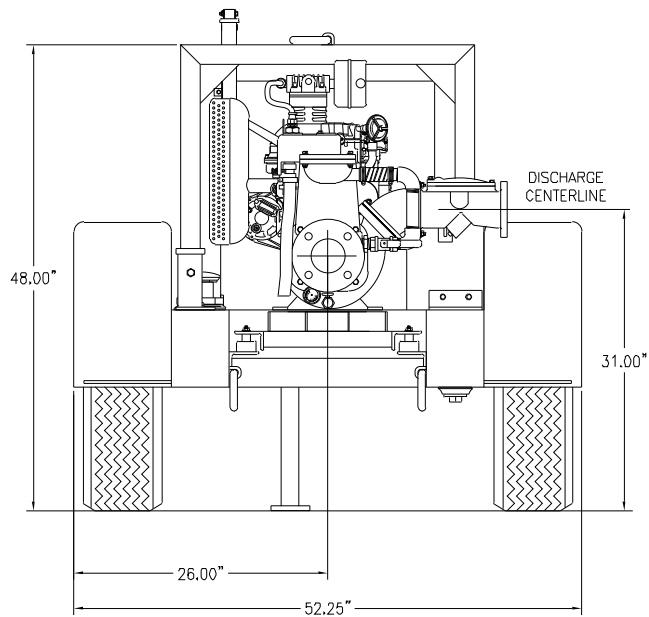
3044 State Road, P.O. Box 2248, Buena Vista, CA 95023
**POWER
PRIME
PUMPS**

CONCEPTUAL
DRAWING

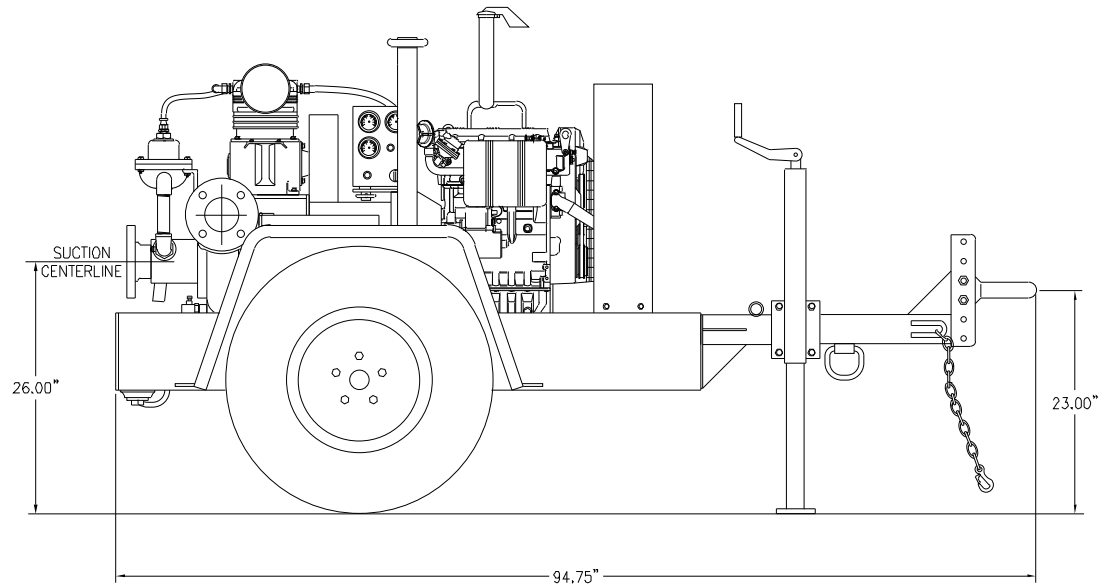
DV-80
GP-25/DEUTZ F3M 1008

1 of 1
Drawing Number

Job Number
980702P



END VIEW



SIDE VIEW