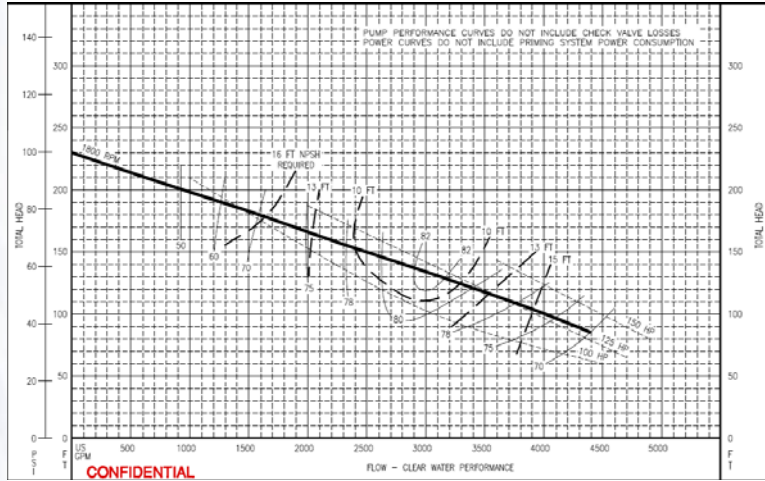




DV-200c-E Technical Specifications

Production Curve



Performance Specs

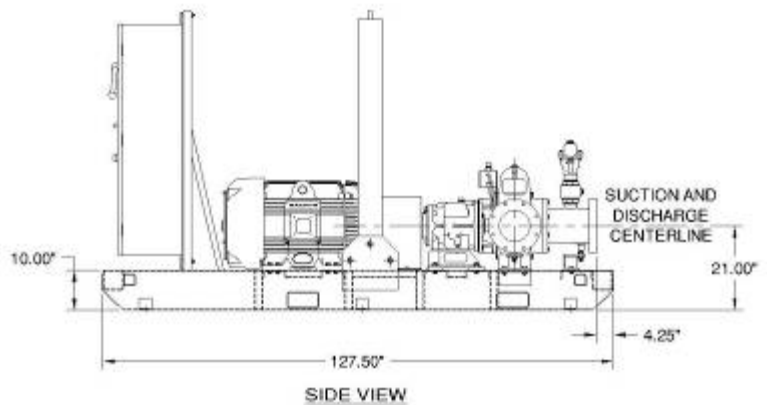
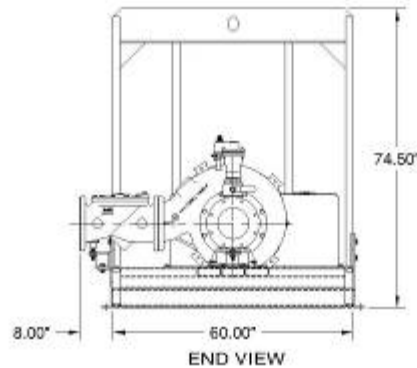
2 VANE ENCLOSED IMPELLER

Maximum Operating Speed:	1760 rpm
Maximum Head:	235 ft.
Maximum Flow:	4500 gpm

Design Details

Pump Designation:	DV200C-E
Pump Description:	Centrifugal end suction pump, single stage, volute type, 2 vane non-clog impeller
Solid Handling Size:	Up to 3.375 inches (45mm)
Operating Temperature	MIN: -4°F (-20°C) - MAX: +212°F (+100°C)

Dimensions



Rain for Rent
 P.O. Box 2248
 Bakersfield CA 93303
 800-742-7246
 661-399-9124
 FAX 661-393-1542
www.rainforrent.com
info@rainforrent.com

Rain for Rent is a registered trademark of Western Oilfields Supply Company. Features and Specifications are subject to change without notice.