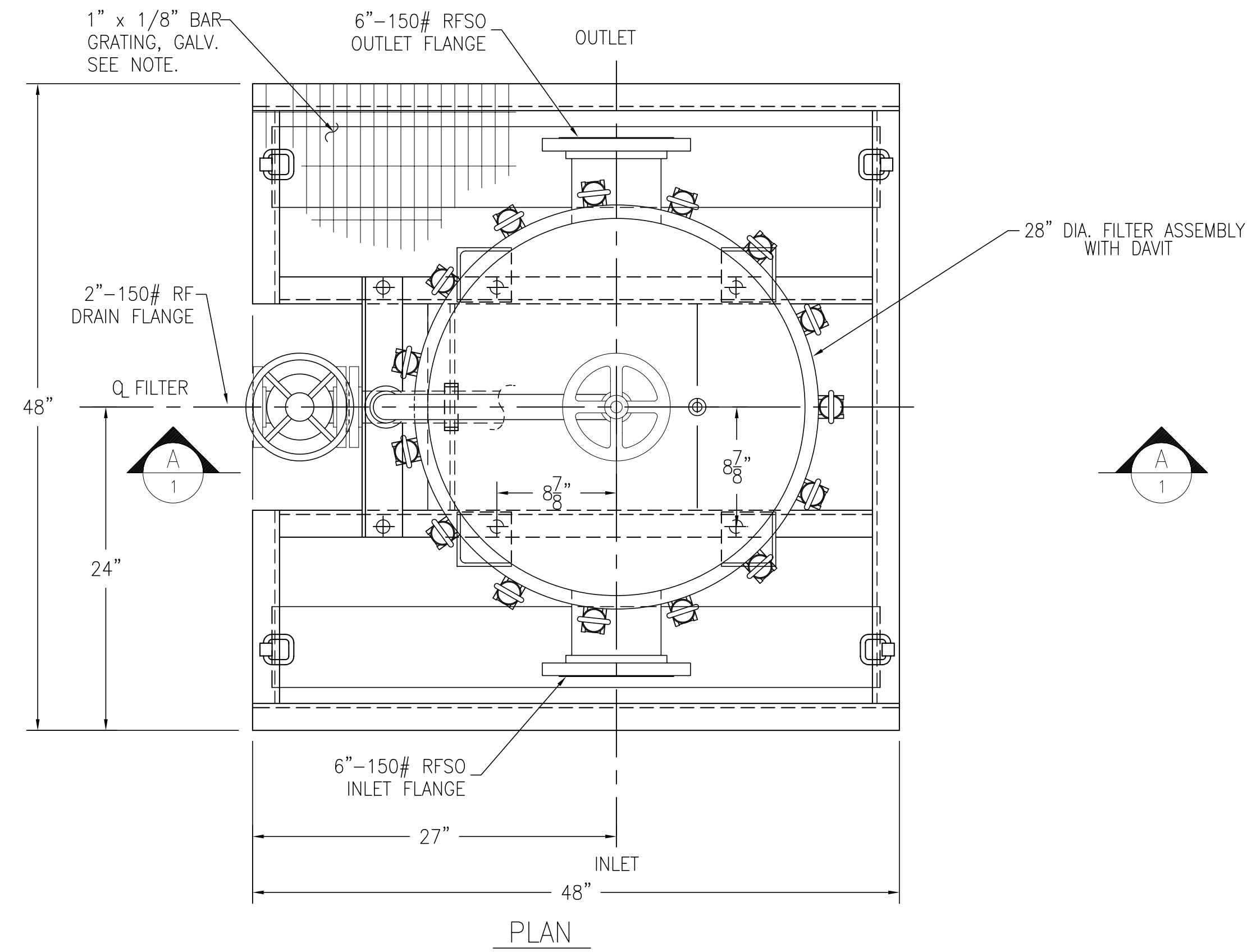


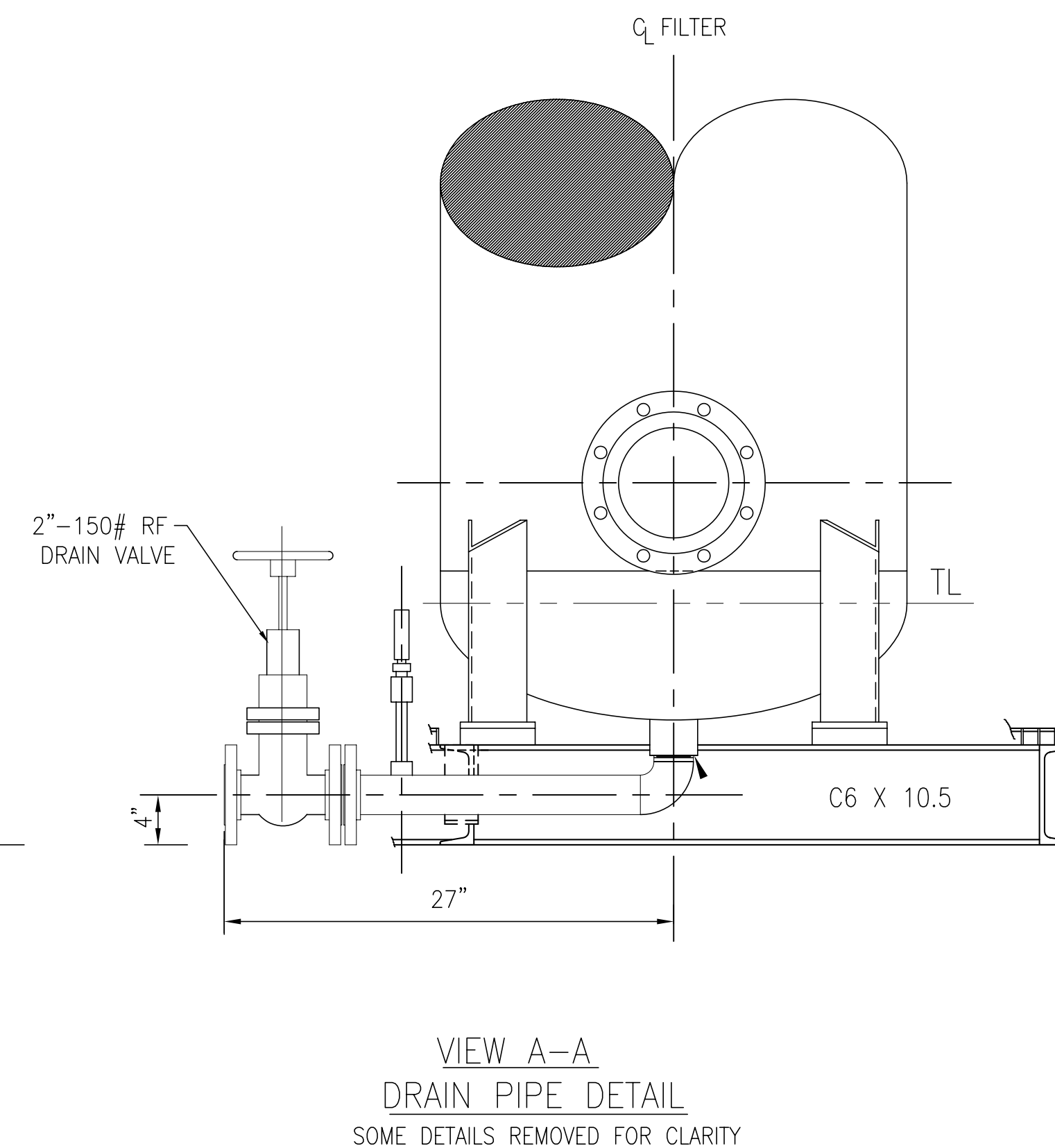
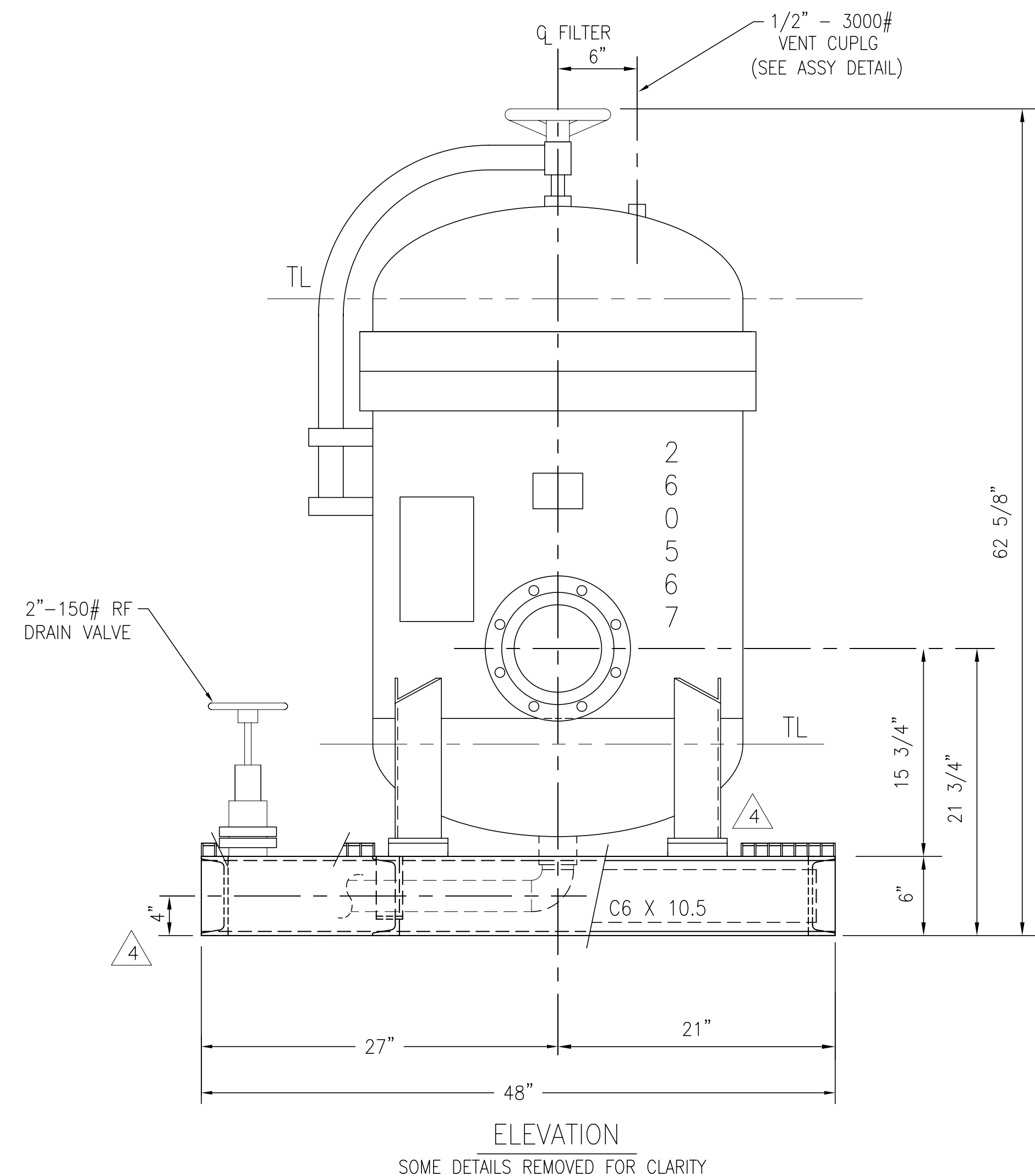
| REV.NO. | DESCRIPTION | PREVIOUS DWG | BY | DATE |
|---------|-------------|--------------|----|------|
| | | | | |

| ITEM | QTY. | REF. | DESCRIPTION |
|------|------|------|-------------|
| | | | |



GENERAL SPECIFICATION

1. DESIGN CODE : ASME SEC. VIII DIV. 1 2004
2. DESIGN PRESSURE : 150 PSIG
3. DESIGN TEMP : 200° F
4. CORR. ALLOW. : 0.0
5. MDMT : -20°F @ 175 PSIG
6. STEAM OUT : N/A
7. X-RAY : NONE
8. HYDRO TEST : 195 PSIG
9. SERIAL NO. : 8558
10. NAT'L BRD. No. : LATER
11. SHOP ORDER : 8558
12. No. REQ'D. : FIFTEEN (15)
13. MODEL No. : FSPN-2000-6
14. EST. WT. : DRY: 2000 LBS FULL: 3175 LBS
15. WPS : -
16. ITEM NO. : LATER
17. PAINT : NONE
18. SKID : STRUCTURAL STEEL-GALVANIZED
19. VESSEL : 304 SS
20. CLOSURE EYE BOLTS: SA193-B8
21. CLOSURE EYE NUTS : SA193-1 (NI PLATED)

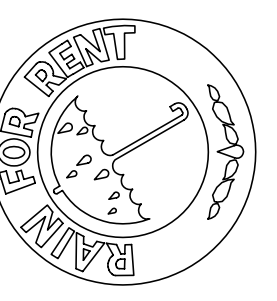


| | | | | | |
|------------------|---------------------|----------------|-----------------------|---------------------|----------|
| DATE: 02-14-2006 | SCALE: NOT TO SCALE | DESIGNER: PALL | CHECKED: M. STEVENSON | DRAWN: M. STEVENSON | SHEET: D |
|------------------|---------------------|----------------|-----------------------|---------------------|----------|

BF-1000

P&ID

Rain For Rent Engineering
 3404 STATE ROAD, P.O. BOX 2248 BAKERSFIELD, CA 93303



ALL INFORMATION CONTAINED IN OR REFERRED TO IN THIS DOCUMENT IS THE PROPERTY OF RAIN FOR RENT. ALL RIGHTS ARE RESERVED. NO PART OF THIS DOCUMENT IS TO BE REPRODUCED OR TRANSMITTED IN ANY FORM OR BY ANY MEANS, ELECTRONIC OR MECHANICAL, INCLUDING PHOTOCOPYING, RECORDING, OR BY ANY INFORMATION STORAGE AND RETRIEVAL SYSTEM, WITHOUT THE PRIOR WRITTEN CONSENT OF RAIN FOR RENT.

| | | | |
|----------------|---------|----|---|
| SHEET | 1 | OF | 1 |
| DRAWING NUMBER | 106675 | | |
| JOB NUMBER | 1060160 | | |