



Model OR 2 Intermodal

Features

- 25 yard capacity
- Open top
- Steel construction
- Leak-proof door
- Unique rear door design
- Heavy duty construction

Technical

The OR 2 Intermodal storage containers are ideal for the storage of solid wastes and sludges prior to disposal. Heavy duty construction, the OR 2 Intermodal door allows for secure containment of materials. The Roll Off design allows for easy transportation using standard Roll Off trailers or by rail. The 25 yard capacity is an industry standard.

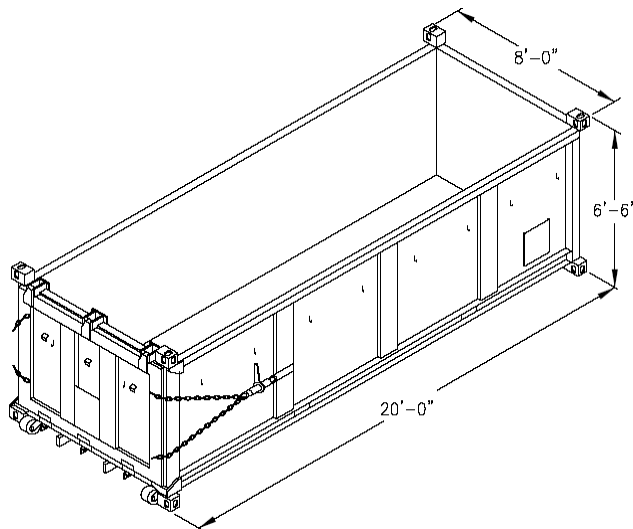


Material Specifications

All steel heavy duty construction, totally enclosed including top hung rear discharge door with leak-proof door. Door retained in closed position onto leak-proof door seals by ratchet binders and chains and a ratchet operated three point bottom edge clamping system.

Available Accessories

- Power Prime Pumps
- Spill Guard Containment berms
- Stainless Steel 304 and Carbon Steel storage tanks in
- Bi-Level, Mixer, Weir and Manifold configurations
- Polyethylene storage tanks
- Cartridge and bag filters
- HDPE pipe and fittings
- Roll off boxes, dewatering bins and vacuum boxes
- Flow meters and pressure reducing/ sustaining valves
- Aluminum Victaulic pipe and fittings
- Suction and discharge hose



Rain for Rent
P.O. Box 2248
Bakersfield CA 93303
800-742-7246
661-393-1542
FAX 661-393-1542
www.rainforrent.com
info@rainforrent.com

Rain for Rent is a registered trademark of Western Oilfields Supply Company. Features and Specifications are subject to change without notice.